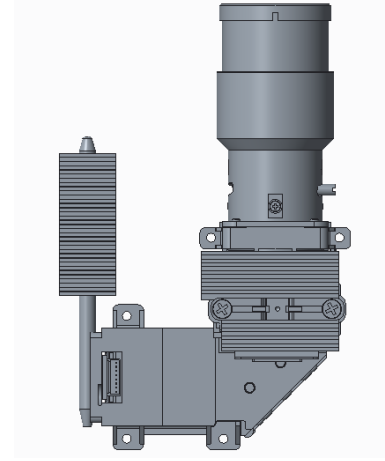




## DY10EB50T13B

### 3D 打印投影光机

### Projector engine for 3D Printing



显示芯片: <b>Panel:</b>	TI .47" 1080P DMD
物理分辨率: <b>Physical resolution:</b>	1920×1080
光源: <b>Light source:</b>	UV LED ( $\lambda=385\text{nm}$ )
输出光功率: <b>Output power:</b>	2.3W
尺寸(mm): <b>Dimension(mm):</b>	160×104.5×51.7 ( TBD )
对比度(FOFO): <b>Contrast ratio(FOFO):</b>	1000:1
均匀性(JBMA): <b>Uniformity (JBMA):</b>	90%
偏轴: <b>Offset:</b>	0%
曝光面积: <b>Exposure area:</b>	96mm×54mm
工作距离: <b>Working Distance:</b>	120mm
像面像素尺寸: <b>ImagePixel Size:</b>	50um
畸变 (设计值) : <b>Distortion ( Design Value ) :</b>	0.1%